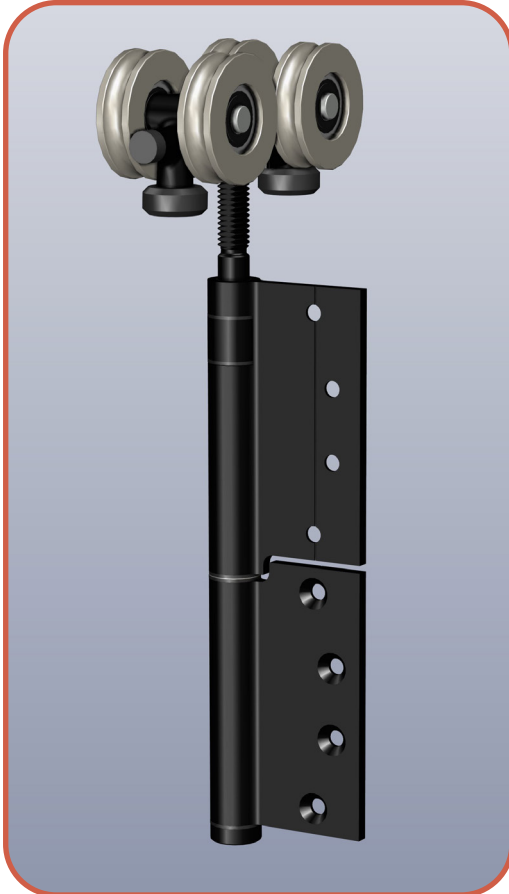


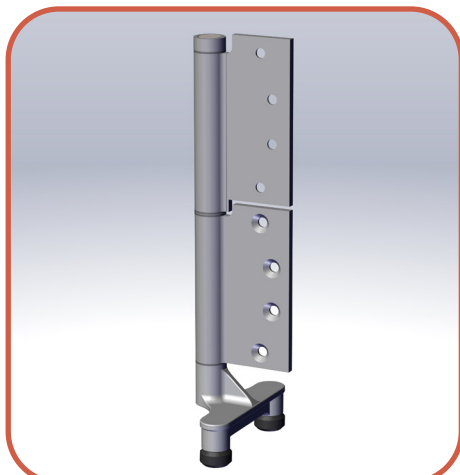
MAGNUM™ BI-FOLD SYSTEM

For Top Hung Folding Doors



Top Intermediate Carrier Assembly

Shown in Matte Black



Bottom Intermediate Guide Assembly

Shown in Soft Nickel

MAGNUM™ HARDWARE

**300 SERIES STAINLESS STEEL
PINS & GUIDES**

**EXTRUDED ALUMINUM ALLOY
HINGE LEAVES**

Product Features

- Robust Features for Higher Structural Loads
 - Staked Stainless Steel Pins & Guides
 - Reinforced Intermediate Bottom Guides
- Extruded Aluminum Friction Hinges
 - 20 Years of Proven Field Experience
 - Maximum Adjustment Without Hinge Deflection
 - Unique Stay Feature Reduces System Drift & Panel Damage
- Easy & Expanded Adjustment Cam for Top & Bottom Pivot Sets
- Quiet, High Performance Sealed Stainless Steel Bearing Wheel System
- Custom Color Matching Available
- Available by the Piece, Hinge Set or Full Hardware System
- Complete Extrusion Offering
- Complete Concealed Locking System Available

MAGNUM™ BI-FOLD SYSTEM

For Top Hung Folding Doors



Technical Specs

- Max Panel Weight: 240 lbs
- Max Panel Width: 42"
- Max Panel Height: 120"
- Panel Thickness: 1 3/4", 2", 2 1/4"
- Max Number of Panels: 8 Each Way



Hinge Sets & Components

Pivot Hinge Set (PHS) (Right & Left)

- Top Pivot Assembly
- Jamb Pivot Assembly
- Bottom Pivot Assembly

Intermediate Carrier Set (ICS)

- Top Intermediate Hanger Assembly
- Middle Hinge Assembly
- Bottom Intermediate Guide Assembly

End Carrier Set (ECS) (Right & Left)

- Top End Hanger Assembly
- Bottom End Guide Assembly

Hinge Handle Set (HHS)

- (2) Middle Hinge Assembly
- (1) Handle Assembly

Hinge Set (HS)

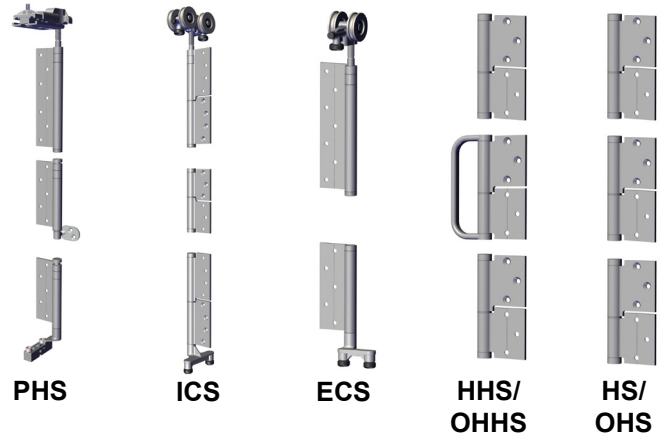
- (3) Middle Hinge Assembly

Offset Hinge Handle Set (OHHS)

- (2) .166 Offset Middle Hinge Assembly
- (1) .166 Offset Handle Assembly

Offset Hinge Set (OHS)

- (3) .166 Offset Middle Hinge Assembly



Color Finishes Available



Custom Color Match Available*

*Additional charges, minimums and lead-times may apply

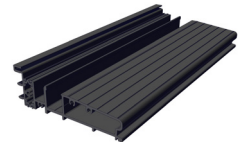
Note: These color samples are for reference. Physical color chips are required for color matching.

Extrusion Components

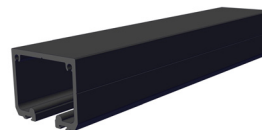
Lock Head Assembly



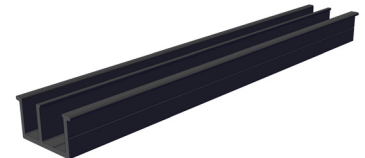
Lock Sill Assembly



Head Channel



Flush Sill Channel



ADA Sill Assembly

